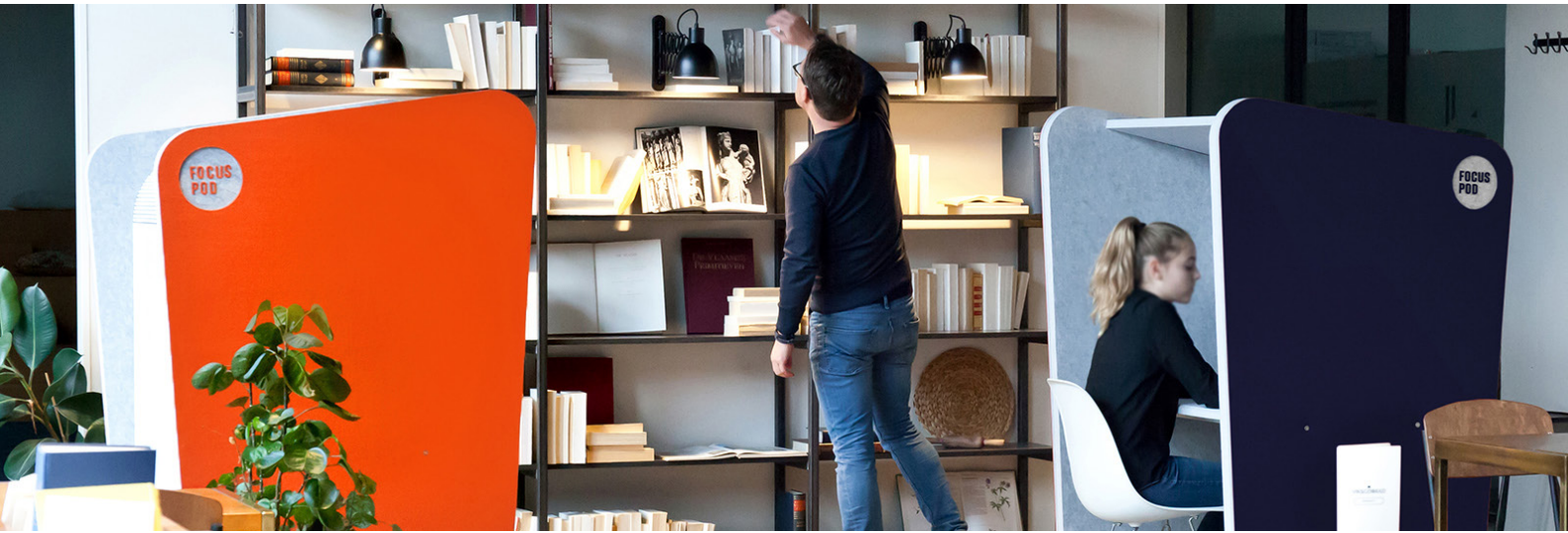




MIND
YOUR
SPACE

silence@focuspod.nl
www.focuspod.nl
+31 40 249 03 01



FocusPod Assembly sheet

The FocusPod can easily be assembled by two people.
You can adjust the worktop to the height that suits you best.

Specifications

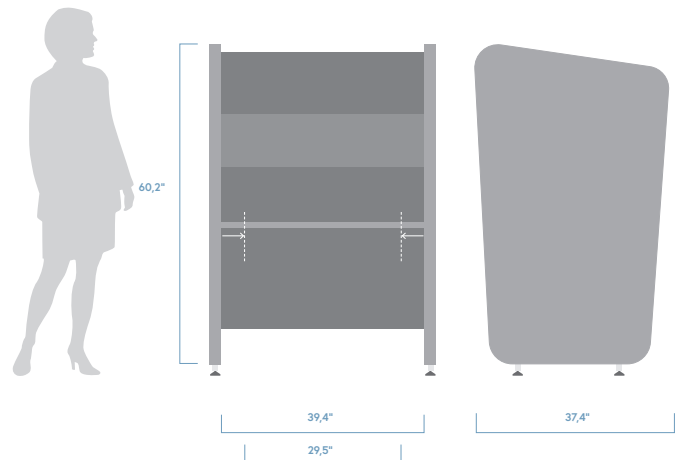
The FocusPod is available in two different sizes:

LxWxH 37,4 x 39,4 x 60,2 inch

LxWxH 37,4 x 29,5 x 60,2 Inch

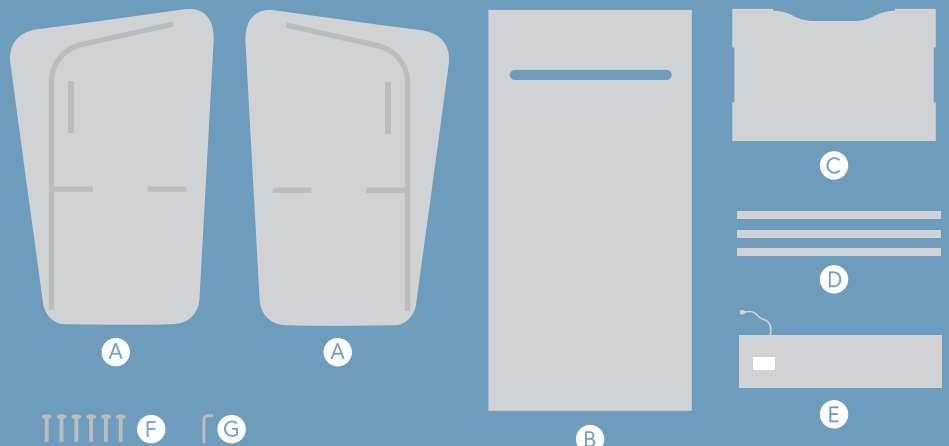
Technical panel:

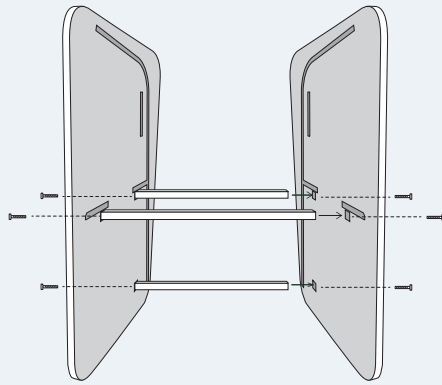
- 4000k indirect LED lighting, both bottom and top
- Wall outlet including USB-C and dimmable controller
- 118 Inch 230v cable, including EU plug, colour/black-and-white and CE-certified



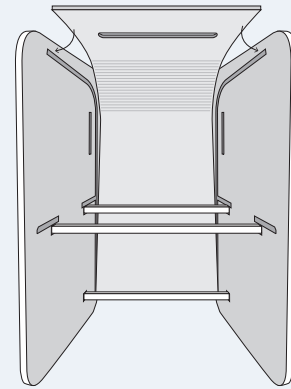
Box contents

- A Sidewalls
- B Rear wall
- C Worktop
- D Casings (3 units)
- E Technical panel
- F Bolts m8 (6 units)
- G Hexagonal key 5mm

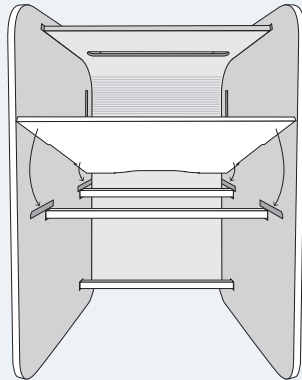




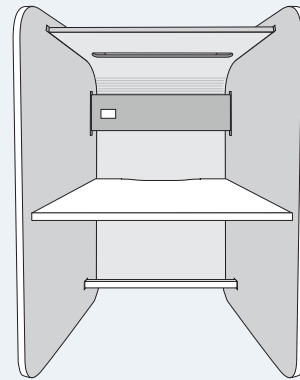
1



2



3



4

STEP 1

- Remove all the components from the packaging.
- Take one of the sidewalls and place it on the floor, on its legs.
- Take the casings and place them in the recess on the inside of the wall.
- From the outside, screw three bolts into the casings; tighten for a maximum of 0,4 Inch.
- Next, place the other sidewall on the floor, with the inside turned to the wall the casings are plugged into.
- Insert the casings in into the recess of the new wall.
- From the outside, screw remaining three bolts into the casings; tighten for a maximum of 0,4 Inch.

STEP 2

- Take the rear wall and press it into the recesses found in both walls.

STEP 3

- Next, take the worktop and press it into the four recesses.
- Screw all 6 bolts tightly.

STEP 4

- Next, take the technical panel and press it into the recess.
- Swipe the plug of the technical panel through the recess in the worktop.
- Plug in and start working away!

Adjusting the height

The legs are easily adjustable when it is in an upright position. The line divider instantly shows you that they are all positioned at the same height (as an example the height is set to 3 lines by default, which means a worktop with a height of 29,1 Inch).

- 1 line 28,4"
- 2 lines 28,7"
- 3 lines 29,1"
- 4 lines 29,5"
- 5 lines 29,9"
- 6 lines 30,3"
- 7 lines 30,7"
- 8 lines 31,1"
- 9 lines 31,5"
- 10 lines 31,9"

Have a nice day!